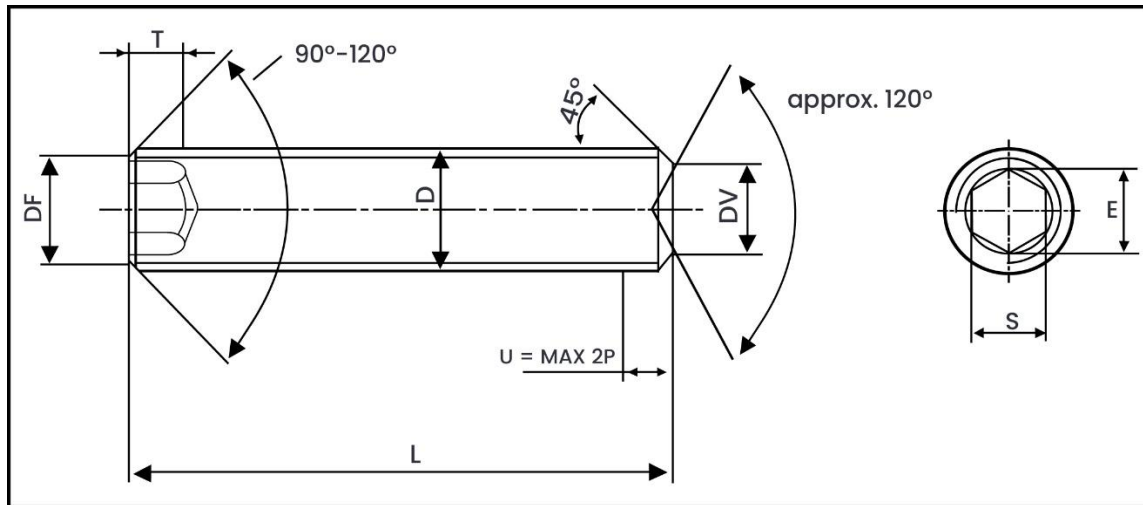


## DIN 916

### Hexagon Socket Set Screw with Cup Point



*Weight Chart – DIN 916 Hexagon Socket Set Screw with Cup Point*

Weight in Kg/1000 pieces

Table 1: Weight Chart – M1.40 to M5

L	M1.40	M1.60	M1.80	M2	M2.50	M3	M4	M5
2.50	0.018	0.019	0.03					
3	0.022	0.028	0.036	0.044	0.075			
4	0.029	0.037	0.048	0.059	0.10	0.14		
5	0.036	0.046	0.06	0.074	0.125	0.18	0.255	0.42
6	0.043	0.056	0.072	0.089	0.15	0.22	0.38	0.54
8				0.119	0.199	0.31	0.53	0.78
10				0.148	0.249	0.40	0.68	1.02
12						0.49	0.83	1.26
16						0.67	1.13	1.74
20						0.85	1.43	1.22
25								2.82

Table 2: Weight Chart – M6 to M24

<b>L</b>	<b>M6</b>	<b>M8</b>	<b>M10</b>	<b>M12</b>	<b>M16</b>	<b>M20</b>	<b>M24</b>
<b>6</b>	0.74						
<b>8</b>	1.09	1.88					
<b>10</b>	1.44	2.51					
<b>12</b>	1.79	3.14	4.73				
<b>16</b>	2.49	4.40	6.73	9.50			
<b>20</b>	3.19	5.66	8.71	12.30	20.90		
<b>25</b>	4.07	7.25	11.20	15.90	27.40	41.40	
<b>30</b>	4.95	8.84	13.70	19.50	34	51.70	70.30
<b>35</b>	5.83	10.40	16.20	23.10	40.50	62	85.30
<b>40</b>		12	18.70	26.70	47.10	72.30	100
<b>45</b>						82.60	115
<b>50</b>						92.90	130
<b>55</b>							145
<b>60</b>							160