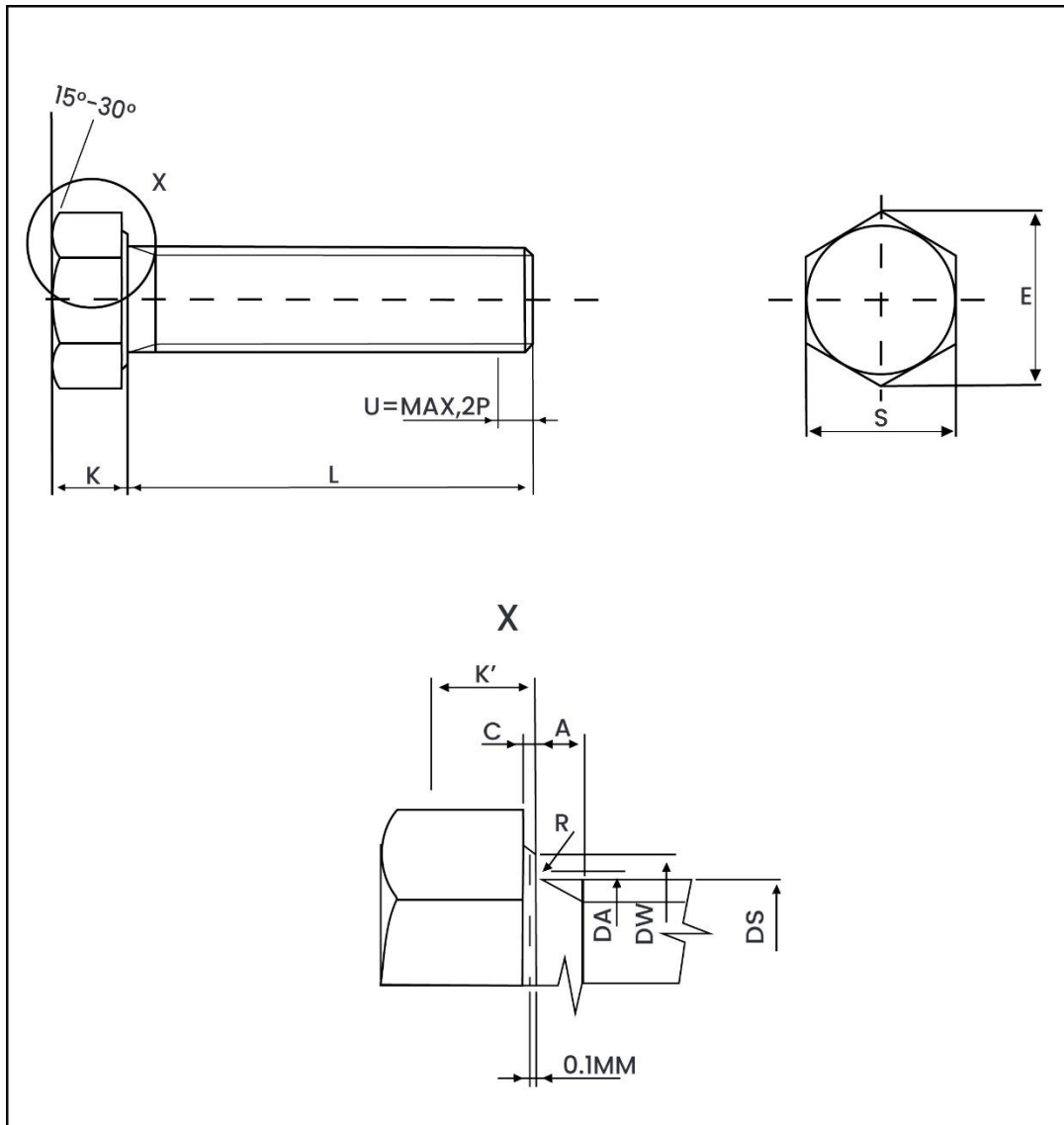


DIN 961
Hex Bolt (Fully Threaded)



Weight Chart – DIN 961 Hex Bolt (Fully Threaded)

Weight in Kg/1000 pieces

Table 1: Weight Chart – M8 to M16

L					M8	M10	M12	M14	M16
Nominal	Product Grade A		Product Grade B						
	Min.	Max.	Min.	Max.					
8	7.71	8.29	-	-	8.60	16.70			
10	9.71	10.29	-	-	9.30	17.80	25.50	38.80	
12	11.65	12.35	-	-	9.90	18.90	27	40.90	55.10
14	13.65	14.35	-	-	10.60	19.90	28.50	43	57.90
16	15.65	16.35	-	-	11.30	21	30	45.10	60.70
18	17.65	18.35	-	-	11.90	22.10	31.50	47.20	63.40
20	19.58	20.42	-	-	12.60	23.20	33	49.30	66.20
22	21.58	22.42	-	-	13.20	24.20	34.50	51.30	69
25	24.58	25.42	-	-	14.20	25.80	36.70	54.40	73.20
28	27.58	28.42	-	-	15.20	27.40	39	57.60	77.30
30	29.58	30.42	-	-	15.90	28.50	40.50	59.70	80.10
35	34.50	35.50	-	-	17.60	31.20	44.20	64.90	87.10
40	39.50	40.50	-	-	19.20	33.90	48	70.20	94
45	44.50	45.50	-	-	20.90	35.60	51.70	75.40	101
50	49.50	50.50	-	-	22.60	39.30	55.50	80.60	108
55	54.40	55.60	-	-	24.20	42	59.20	85.80	115
60	59.40	60.60	-	-	25.90	44.70	63	91.10	122
65	64.40	65.60	-	-	27.60	47.40	66.70	96.30	129
70	69.40	70.60	-	-	29.20	50	70.50	102	136
75	74.40	75.60	-	-	30.90	52.70	74.20	107	143
80	79.40	80.60	-	-	32.50	55.40	78	112	150
85	84.30	85.70	83.25	88.75	34.20	58.10	81.70	117	157
90	89.30	90.70	88.25	91.75	35.90	60.80	85.20	122	164
95	94.30	95.70	93.25	93.75	37.50	63.50	89.20	128	171
100	99.30	100.70	98.25	101.75	39.20	65.20	92.90	133	177
110	109.30	110.70	108.25	111.75	42.50	71.60	100	143	191
120	119.30	120.70	118.25	121.75	45.90	77	108	154	205
130	129.20	130.80	128	132		82.40	115	164	219
140	139.20	140.80	138	142		87.70	123	175	233
150	149.20	150.80	148	152		93.10	130	185	247
160	159.20	160.80	158	162			138	196	260
170	169.20	170.80	168	172			145	206	274
180	179.20	180.80	178	182			153	217	288
190	189.08	190.92	187.70	192.30				227	302
200	199.08	200.92	197.70	202.30				238	316

Table 2: Weight Chart – M18 to M24

L					M18	M20	M22	M24
Nominal	<i>Product Grade A</i>		<i>Product Grade B</i>					
	<i>Min.</i>	<i>Max.</i>	<i>Min.</i>	<i>Max.</i>				
18	17.65	18.35	-	-	86.60	115	143	
20	19.58	20.42	-	-	90	119	148	193
22	21.58	22.42	-	-	93.40	124	154	199
25	24.58	25.42	-	-	98.60	131	162	209
28	27.58	28.42	-	-	104	137	170	218
30	29.58	30.42	-	-	107	141	175	224
35	34.50	35.50	-	-	116	152	188	240
40	39.50	40.50	-	-	124	163	201	256
45	44.50	45.50	-	-	133	174	215	272
50	49.50	50.50	-	-	141	186	228	288
55	54.40	55.60	-	-	150	197	241	303
60	59.40	60.60	-	-	159	208	254	319
65	64.40	65.60	-	-	167	219	267	335
70	69.40	70.60	-	-	176	230	281	351
75	74.40	75.60	-	-	184	241	294	369
80	79.40	80.60	-	-	193	253	307	383
85	84.30	85.70	83.25	88.75	202	264	320	399
90	89.30	90.70	88.25	91.75	210	275	333	415
95	94.30	95.70	93.25	93.75	219	286	347	430
100	99.30	100.70	98.25	101.75	227	297	360	446
110	109.30	110.70	108.25	111.75	244	319	386	478
120	119.30	120.70	118.25	121.75	261	342	413	510
130	129.20	130.80	128	132	279	364	439	541
140	139.20	140.80	138	142	296	386	466	573
150	149.20	150.80	148	152	313	409	492	605
160	159.20	160.80	158	162	330	431	518	637
170	169.20	170.80	168	172	347	453	545	668
180	179.20	180.80	178	182	365	475	571	700
190	189.08	190.92	187.70	192.30	382	498	598	732
200	199.08	200.92	197.70	202.30	399	520	624	764